

Plaka Stabox

Reinforcement continuity system





We are one team. **We are Leviat.**

Leviat is the new name of CRH's construction accessories companies worldwide.

Under the Leviat brand, we are uniting the expertise, skills and resources of Plaka and its sister companies to create a world leader in fixing, connecting and anchoring technology.

The products you know and trust, including Plaka, will remain an integral part of Leviat's comprehensive brand and product portfolio. As Leviat, we can offer you an extended range of specialist products and services, greater technical expertise, a larger and more agile supply chain and better, faster innovation.

By bringing together CRH's construction accessories family as one global organisation, we are better equipped to meet the needs of our customers, and the demands of construction projects, of any scale, anywhere in the world.

This is an exciting change. Join us on our journey.

Read more about Leviat at [Leviat.com](https://www.leviat.com)



Our product brands include:

Ancon


HALFEN

PLAKA



60
locations

sales in
30+
countries

3000
people worldwide

Imagine. Model. Make.

Leviat.com

Stabox Reinforcement continuity system

Due to the exclusive profile, specially designed to anchor itself in the concrete, the Stabox is the only rebar casing capable of making an anchoring which can transfer significant forces around the structural joints.



Advantages of the Stabox

- The external dovetail shape guarantees a tongue and groove connection between the two concreting phases. ①
- The double internal dovetail shape fixes the profile in the concrete and limits the width of cracks caused by shrinkage. Only the Stabox can improve the water-tightness of the structural joint. ②
- The diamond shaped pattern on the surface of the casing improves the bond and allows the transfer of shear forces. ③
- The corrugated edges on the sides prevent displacement of the casing when the lid is removed, improving the quality of the anchoring. ④
- The cardboard lid is easy to remove under all conditions because of the double longitudinal perforations present. ⑤
- The polystyrene inserts, perfectly adapted to the shape of the casing, prevent the penetration of cement slurry along the sides of the casing. ⑥

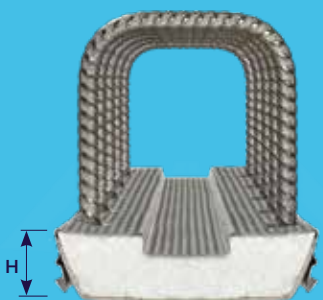
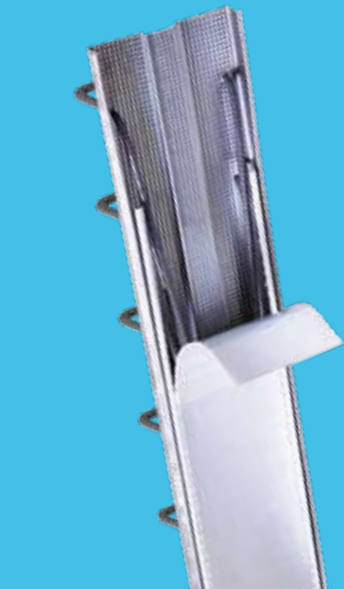
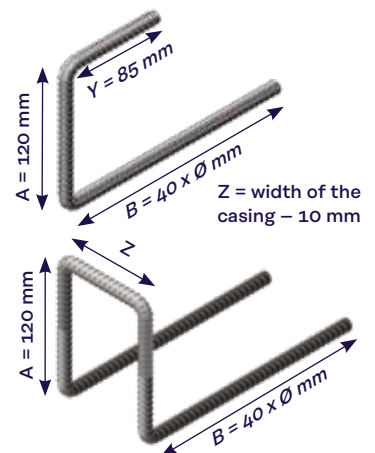
Technical properties

- The two commercial* standard lengths of Stabox are: 1.25 and 2.45 m
- The width of the casing depends on the type of casing
- The height of the metal casing is 30 mm

Stirrups: Serrated steel BE500 S with certificate AFCAB - BENOR - KIWA.

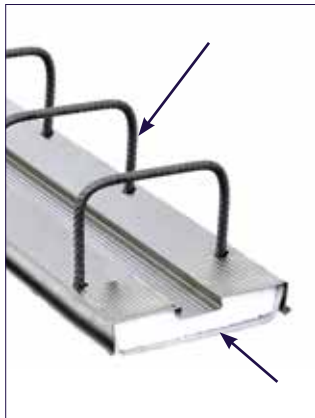
- Ø 6 mm cold-rolled
- Ø 8, 10 and 12 mm bendable once-only

* The lengths of the steel casings are 1.20 and 2.40 m respectively. The standard measurements of the stirrups are shown above. Other versions (dimensions A and B) are available to order.





Instructions for use



1



2

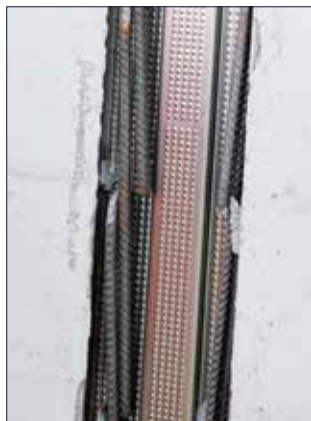
- 1 Check that the chosen dimensions of the Stabox correspond with the required concrete cover of the second concreting phase. Ensure that the polystyrene inserts are in place at both ends of the casing.
- 2 Fix the Stabox to the formwork and to the reinforcements as well if required.
- 3 Cast the concrete in the first phase.
- 4 Remove the cardboard lid and the polystyrene inserts after removing the formwork.
- 5 Check that the stirrups are completely clean.
- 6 Bend the bars out. It is advisable to use a bending tool to avoid distortion of a bayonet.



3



4



5



6

Centring the Stabox

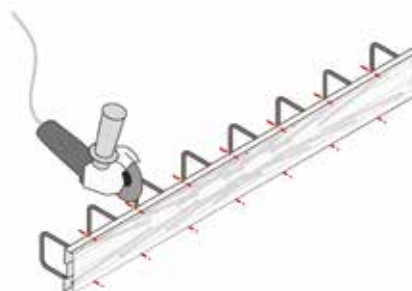


The Stabox can cope with a curve because of the saw cuts on the sides of the casing.



Obviously the starter bars may not be cut or damaged.

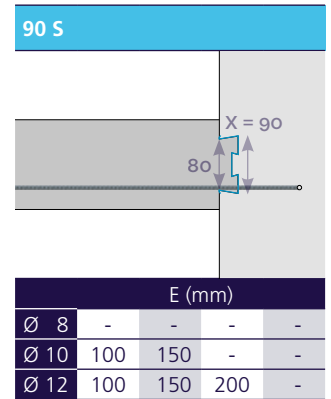
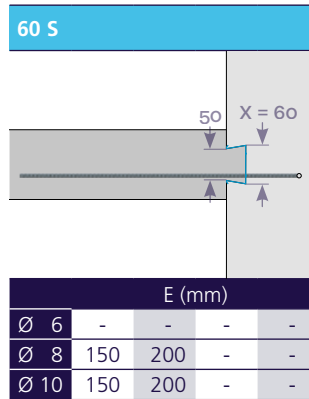
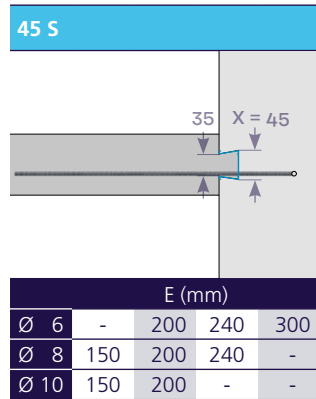
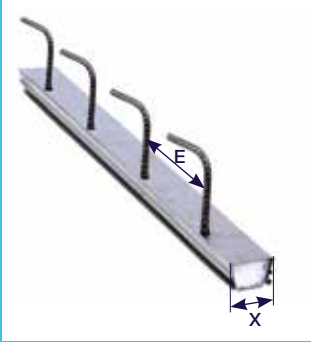
The openings in the casing must be carefully sealed before the concrete is cast.



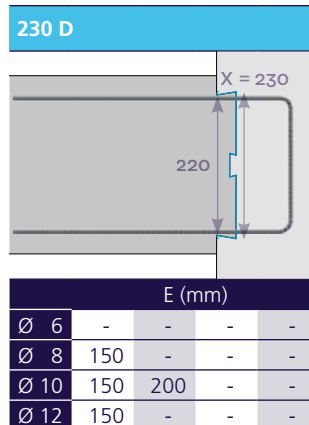
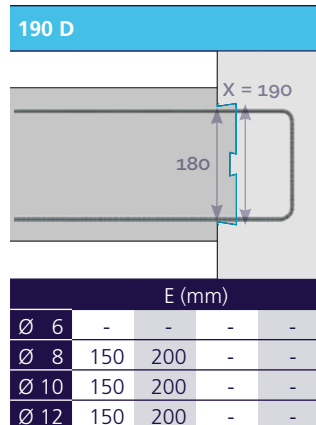
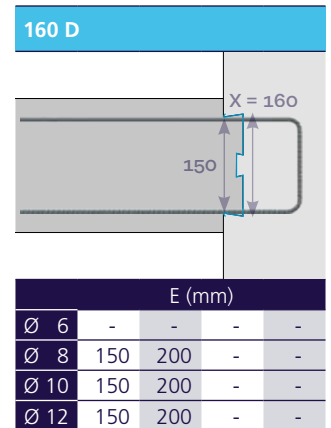
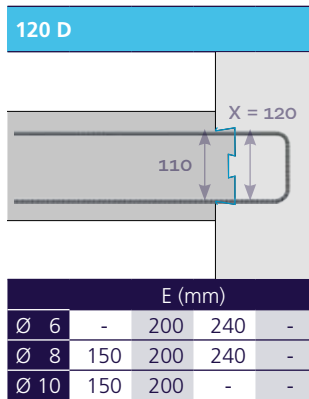
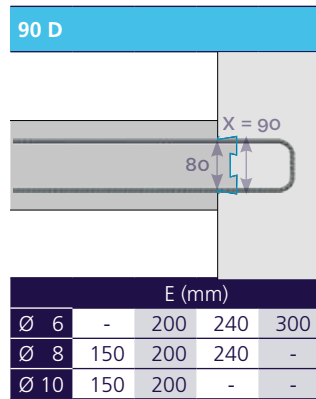
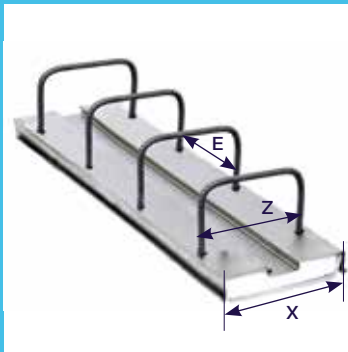
The only rebar casing which can realise a tongue and groove connection between the two concreting phases.

Stabox Standard types

Type S

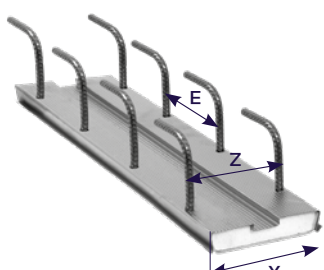


Type D

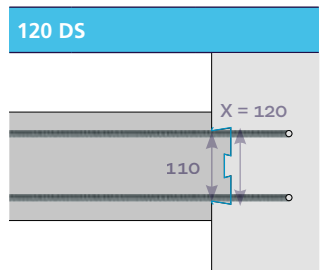


Stabox Standard types

Type DS

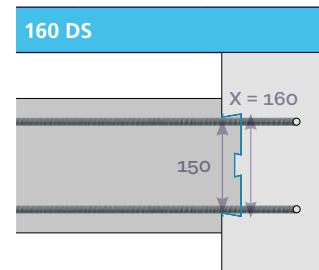


120 DS



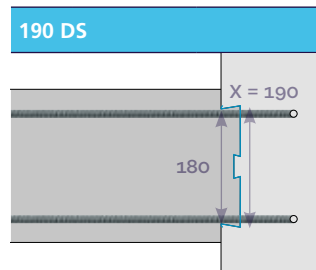
E (mm)		
Ø 10	100	150
Ø 12	100	150

160 DS



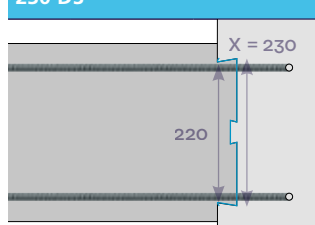
E (mm)		
Ø 10	-	150
Ø 12	100	150

190 DS



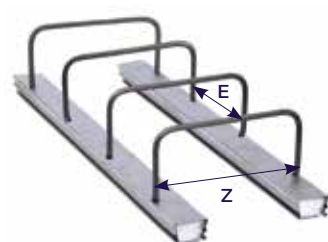
E (mm)		
Ø 10	-	150
Ø 12	100	150

230 DS

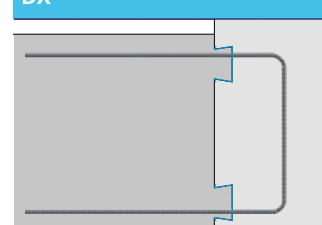


E (mm)		
Ø 10	-	150
Ø 12	100	150

Type DX



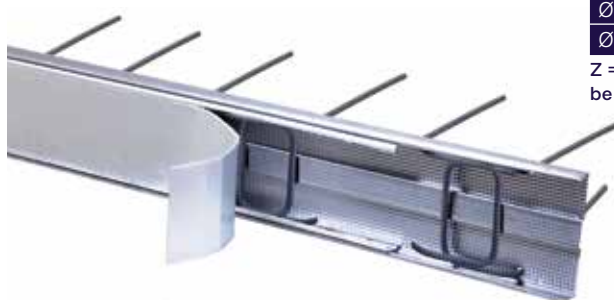
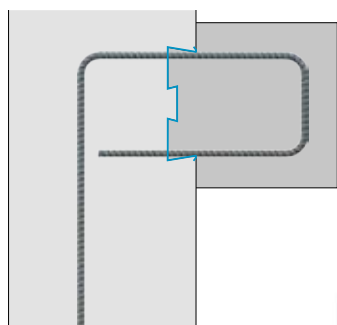
DX



E (mm)				
Ø 6	-	200	240	300
Ø 8	150	200	240	-
Ø 10	150	200	-	-
Ø 12	150	200	-	-

Z = outer dimensions of stirrup to be shown

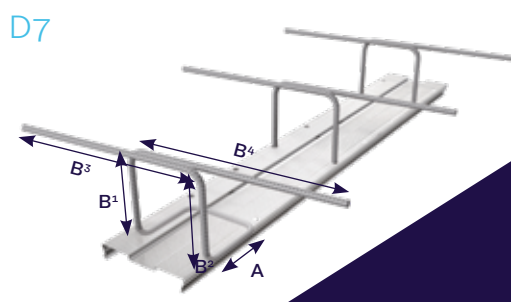
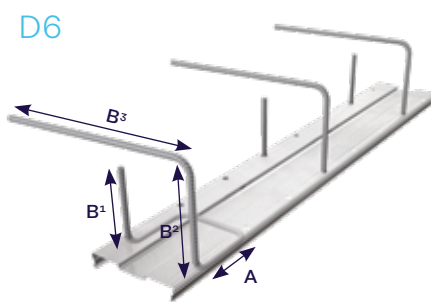
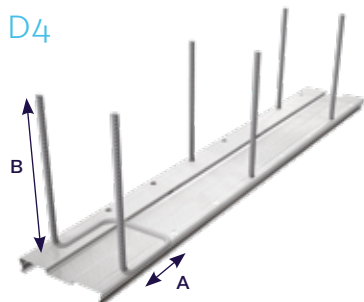
Stabox reversed stirrups



A type of Stabox with stirrups bent in the casing can be used to produce a reinforced concrete corbel. The stirrups can be bent in accordance with the models D4, D6 and D7 below.



You must provide the size of the concrete corbel and the concrete sizes in the 1st phase when ordering, as well as the concrete cover.



Stabox Dimensioning

Conformity with sections - cm ² /m					
Ø / E (mm)	100	150	200	240	300
6 (0,222 kg/m)	2,83	1,87	1,41	1,18	0,95
8 (0,395 kg/m)	5,03	3,33	2,51	2,09	1,71
10 (0,617 kg/m)	7,85	5,27	3,93	3,27	2,67
12 (0,888 kg/m)	11,31	7,53	5,65	4,71	3,84

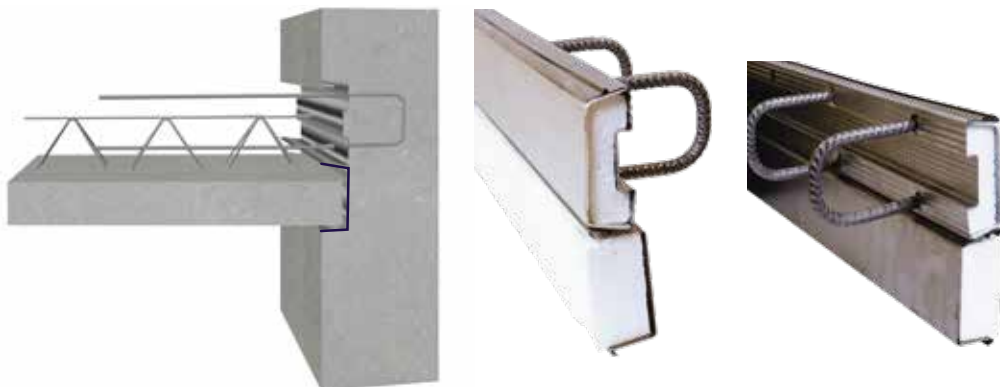
Maximum length B						
Type	Ø steel	Spacing				
		300	240	200	150	100
45 S	6	1100	1100	1000		
	8	1000	800	700	500	
	10		600	500	390	
	12					
60 S	6					
	8		1100	1000	800	
	10			800	700	
	12					
90 S	6					
	8					
	10			1050	900	600
	12			950	700	480
90 D	6	1000	900	800	750	
	8	800	700	600	450	
	10			500	390	
	12					
120 D	6	1200	1200	1000		
	8	1000	750	600	500	
	10			650	400	
	12					
160 D	6			1200	1200	
	8			1100	900	
	10			800	700	
	12			750	600	



Stabox Accessories

Prefab casing slab

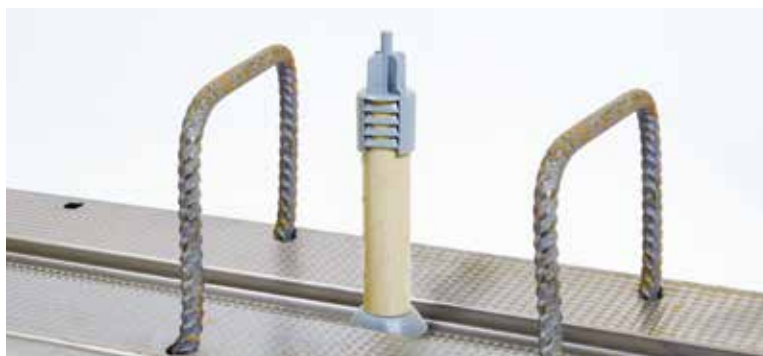
A rebate welded to the Stabox creates a support for the pre-cast casing slab and simplifies the implementation.



Spacers

Spacers are available to guarantee good stability of the unit and to prevent shifting in the formwork.

The length of the spacers must be 20 mm less than the thickness of the wall.



Fixings



- The Stabox is nailed to wooden formwork or tied to the reinforcing.
- The Stabox is fixed with magnetic blocks and tied to the reinforcing or a spacer is used in metal formwork.

Magnetic blocks:

Type 45 for Stabox 45 & 60
Type 90 for Stabox 90 & 120

The magnetic blocks are made from a synthetic resin in which non-removable ferrite is incorporated.

The blocks are placed at each end of the Stabox next to the polystyrene inserts (do not remove the inserts).

Use of a spacer is necessary when the Stabox is positioned horizontally.

The magnetic blocks are easily recovered when the formwork is removed.





Leviat[®]
A CRH COMPANY

Innovative engineered products and construction solutions that allow the industry to build safer, stronger and faster.



Worldwide contacts for Leviat:

Australia

Leviat
98 Kurrajong Avenue,
Mount Druitt Sydney, NSW 2770
Tel: +61 - 2 8808 3100
Email: info.au@leviat.com

Austria

Leviat
Leonard-Bernstein-Str. 10
Saturn Tower, 1220 Wien
Tel: +43 - 1 - 259 6770
Email: info.at@leviat.com

Belgium

Leviat
Industrielaan 2
1740 Ternat
Tel: +32 - 2 - 582 29 45
Email: info.be@leviat.com

China

Leviat
Room 601 Tower D, Vantone Centre
No. A6 Chao Yang Men Wai Street
Chaoyang District
Beijing · P.R. China 100020
Tel: +86 - 10 5907 3200
Email: info.cn@leviat.com

Czech Republic

Leviat
Business Center Šafránková
Šafránková 1238/1
155 00 Praha 5
Tel: +420 - 311 - 690 060
Email: info.cz@leviat.com

Finland

Leviat
Vädursgatan 5
412 50 Göteborg / Sweden
Tel: +358 (0)10 6338781
Email: info.fi@leviat.com

France

Leviat
6, Rue de Cabanis
FR 31240 L'Union
Toulouse
Tel: +33 - 5 - 34 25 54 82
Email: info.fr@leviat.com

Germany

Leviat
Liebigstrasse 14
40764 Langenfeld
Tel: +49 - 2173 - 970 - 0
Email: info.de@leviat.com

India

Leviat
309, 3rd Floor, Orion Business Park
Ghodbunder Road, Kapurbawdi,
Thane West, Thane,
Maharashtra 400607
Tel: +91 - 22 2589 2032
Email: info.in@leviat.com

Italy

Leviat
Via F.lli Bronzetti 28
24124 Bergamo
Tel: +39 - 035 - 0760711
Email: info.it@leviat.com

Malaysia

Leviat
28 Jalan Anggerik Mokara 31/59
Kota Kemuning, 40460 Shah Alam
Selangor
Tel: +603 - 5122 4182
Email: info.my@leviat.com

Netherlands

Leviat
Oostermaat 3
7623 CS Borne
Tel: +31 - 74 - 267 14 49
Email: info.nl@leviat.com

New-Zealand

Leviat
2/19 Nuttall Drive, Hillsborough,
Christchurch 8022
Tel: +64 - 3 376 5205
Email: info.nz@leviat.com

Norway

Leviat
Vestre Svanholmen 5
4313 Sandnes
Tel: +47 - 51 82 34 00
Email: info.no@leviat.com

Philippines

Leviat
2933 Regus, Joy Nostalg,
ADB Avenue
Ortigas Center
Pasig City
Tel: +63 - 2 7957 6381
Email: info.ph@leviat.com

Poland

Leviat
Ul. Obornicka 287
60-691 Poznan
Tel: +48 - 61 - 622 14 14
Email: info.pl@leviat.com

Singapore

Leviat
14 Benoi Crescent
Singapore 629977
Tel: +65 - 6266 6802
Email: info.sg@leviat.com

Spain

Leviat
Polígono Industrial Santa Ana
c/ Ignacio Zuloaga, 20
28522 Rivas-Vaciamadrid
Tel: +34 - 91 632 18 40
Email: info.es@leviat.com

Sweden

Leviat
Vädursgatan 5
412 50 Göteborg
Tel: +46 - 31 - 98 58 00
Email: info.se@leviat.com

Switzerland

Leviat
Grenzstrasse 24
3250 Lyss
Tel: +41 - 31 750 3030
Email: info.ch@leviat.com

United Kingdom

Leviat
President Way, President Park,
Sheffield, S4 7UR
Tel: +44 - 114 275 5224
Email: info.uk@leviat.com

United States of America

Leviat
6467 S Falkenburg Rd.
Riverview, FL 33578
Tel: (800) 423-9140
Email: info.us@leviat.us

For countries not listed:

Email: info@leviat.com

Leviat.com

Notes regarding this brochure

© Protected by copyright. The construction applications and details provided in this publication are indicative only. In every case, project working details should be entrusted to appropriately qualified and experienced persons. Whilst every care has been exercised in the preparation of this publication to ensure that any advice, recommendations or information is accurate, no liability or responsibility of any kind is accepted by Leviat for inaccuracies or printing errors. Technical and design changes are reserved. With a policy of continuous product development, Leviat reserves the right to modify product design and specification at any time.



**For more information on our solutions,
please contact your Leviat Team:**

Belgium

Ternat

Industrielaan 2, 1740 Ternat

T: +32 (0)2 582 29 45 F: +32 (0)2 582 19 62

Schoten (Halfen)

Borkelstraat 131, 2900 Schoten

T: +32 (0)3 658 07 20 F: +32 (0)3 658 15 33

Visit our website:

plaka-solutions.com