

PLAKA - PROFILARC V2

Reinforcement connection box

REF 01.01.08 - Version V01 - 09/04/2020



Description

The reinforcement connection box PROFILARC V2 is made from a raw steel sheet which is crossed by bendable reinforcement bars of $\phi 6$, 8, 10 and 12 mm. The stirrups are centered at regular distances. The stirrups are bent around mandrels with adapted diameters. The steel casing is closed with a cover and with two removable polystyrene caps.

Application fields

All construction joints with projecting rebars of diameter $\phi 6$ to $\phi 12$ mm.

Properties

	Material
Steel grade of the casing	Cold rolled steel DC001-AM0
Steel grade rebars $\phi 6$ mm	Cold rolled steel B500B
Steel grade rebars $\phi 8$, 10 and 12mm	Steel B500B, can be bent and unbent once.
Certification of steel	BENOR, AFNOR and KOMO

©Copyright protected

This sheet, written with great care, supersedes all previous versions. The technical information on the design, models, illustrations, design values and specifications are believed to be accurate. We make no warranties (expressed or implied) as to its accuracy and assumes no liability in connection with non suitable use of this product. We reserve the right to modify the contents of this form without prior notice.


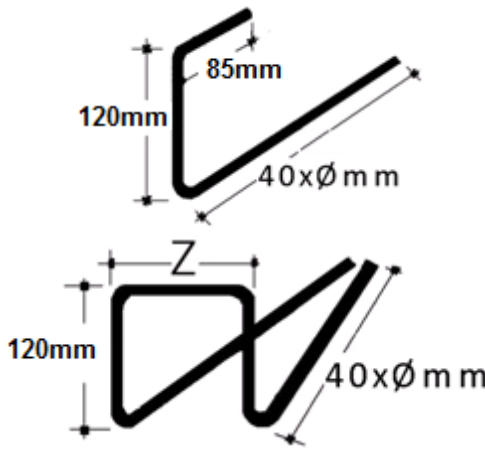
PLAKA - PROFILARC V2

Reinforcement connection box

REF 01.01.08 - Version V01 - 09/04/2020



Dimensions

Dimensions		
Description	Geometry	Code
<p>Connection box</p> 	<p>Thickness 0,4 mm or 0,5 mm depending on the type The profile has a dovetail shape. The depth varies between 30 and 45 mm (depends on the diameter and the dimension of the stirrup) Diamond shaped pattern on the surface of the box "V"-shaped folds on the sides of the box Adapted holes for each different diameter of rebar The standard length of the connection boxes is 1,25m and 2,45m depending on the type</p>	-
Cover	Polypropylene	-
Cap	Polystyrene The shape of the cap is adapted to the box shape	-
Stirrup	<p>Standard stirrups :</p>  <p>Z = width of the connection box - 10mm</p> <p>The length of the rebars can be adapted, but the dimensions of the boxes should be considered</p>	-

©Copyright protected

This sheet, written with great care, supersedes all previous versions. The technical information on the design, models, illustrations, design values and specifications are believed to be accurate. We make no warranties (expressed or implied) as to its accuracy and assumes no liability in connection with non suitable use of this product. We reserve the right to modify the contents of this form without prior notice.

PLAKA - PROFILARC V2
Reinforcement connection box

REF 01.01.08 - Version V01 - 09/04/2020


Models

Model	Geometry			Code
Type 45 S Standard length = 1,25m & 2,45m 	ϕ/E mm	Y mm	Weight Kg/m	PLYS0450815(*) PLYS0450820(*) PLYS0451015(*) PLYS0451020(*)
	8/150	85	1,75	
	8/200	85	1,42	
	10/150	85	2,81	
	10/200	85	2,21	
Type 60 S Standard length = 1,25m & 2,45m 	ϕ/E mm	Y mm	Weight Kg/m	PLYS0600815(*) PLYS0600820(*) PLYS0601015(*) PLYS0601020(*)
	8/150	85	1,80	
	8/200	85	1,46	
	10/150	85	2,86	
	10/200	85	2,26	
Type 90 S Standard length = 1,25m 	ϕ/E mm	Y mm	Weight Kg/m	PLYS0901010125 PLYS0901015125 PLYS0901210125 PLYS0901215125 PLYS0901220125
	10/100	85	4,24	
	10/150	85	3,04	
	12/100	85	6,50	
	12/150	85	4,55	
	12/200	85	3,58	
Type 90 D Standard length = 1,25m & 2,45m 	ϕ/E mm	Z mm	Weight Kg/m	PLYD0900815(*) PLYD0900820(*) PLYD0901015(*) PLYD0901020(*)
	8/150	80	3,08	
	8/200	80	2,48	
	10/150	80	5,08	
	10/200	80	3,97	

(*) code +125 or 245 for 1,25m or 2,45m

©Copyright protected

This sheet, written with great care, supersedes all previous versions. The technical information on the design, models, illustrations, design values and specifications are believed to be accurate. We make no warranties (expressed or implied) as to its accuracy and assumes no liability in connection with non suitable use of this product. We reserve the right to modify the contents of this form without prior notice.

PLAKA - PROFILARC V2
Reinforcement connection box

REF 01.01.08 - Version V01 - 09/04/2020



Model	Geometry	Code																											
Type 120 D Standard length = 1,25m & 2,45m 	<table border="1"> <thead> <tr> <th>ϕ/E mm</th> <th>Z mm</th> <th>Weight Kg/m</th> </tr> </thead> <tbody> <tr> <td>8/150</td> <td>110</td> <td>3,27</td> </tr> <tr> <td>8/200</td> <td>110</td> <td>2,65</td> </tr> <tr> <td>10/150</td> <td>110</td> <td>5,31</td> </tr> <tr> <td>10/200</td> <td>110</td> <td>4,18</td> </tr> </tbody> </table>	ϕ/E mm	Z mm	Weight Kg/m	8/150	110	3,27	8/200	110	2,65	10/150	110	5,31	10/200	110	4,18	<table border="1"> <tbody> <tr> <td>PLYD1200815(*)</td> </tr> <tr> <td>PLYD1200820(*)</td> </tr> <tr> <td>PLYD1201015(*)</td> </tr> <tr> <td>PLYD1201020(*)</td> </tr> </tbody> </table>	PLYD1200815(*)	PLYD1200820(*)	PLYD1201015(*)	PLYD1201020(*)								
	ϕ/E mm	Z mm	Weight Kg/m																										
	8/150	110	3,27																										
	8/200	110	2,65																										
	10/150	110	5,31																										
10/200	110	4,18																											
PLYD1200815(*)																													
PLYD1200820(*)																													
PLYD1201015(*)																													
PLYD1201020(*)																													
Type 160 D Standard length = 1,25m & 2,45m 	<table border="1"> <thead> <tr> <th>ϕ/E mm</th> <th>Z mm</th> <th>Weight Kg/m</th> </tr> </thead> <tbody> <tr> <td>8/150</td> <td>150</td> <td>3,53</td> </tr> <tr> <td>8/200</td> <td>150</td> <td>2,88</td> </tr> <tr> <td>10/150</td> <td>150</td> <td>5,62</td> </tr> <tr> <td>10/200</td> <td>150</td> <td>4,45</td> </tr> <tr> <td>12/150</td> <td>150</td> <td>8,60</td> </tr> <tr> <td>12/200</td> <td>150</td> <td>6,68</td> </tr> </tbody> </table>	ϕ/E mm	Z mm	Weight Kg/m	8/150	150	3,53	8/200	150	2,88	10/150	150	5,62	10/200	150	4,45	12/150	150	8,60	12/200	150	6,68	<table border="1"> <tbody> <tr> <td>PLYD1600815(*)</td> </tr> <tr> <td>PLYD1600820(*)</td> </tr> <tr> <td>PLYD1601015(*)</td> </tr> <tr> <td>PLYD1601020(*)</td> </tr> <tr> <td>PLYD1601215(*)</td> </tr> <tr> <td>PLYD1601220(*)</td> </tr> </tbody> </table>	PLYD1600815(*)	PLYD1600820(*)	PLYD1601015(*)	PLYD1601020(*)	PLYD1601215(*)	PLYD1601220(*)
	ϕ/E mm	Z mm	Weight Kg/m																										
	8/150	150	3,53																										
	8/200	150	2,88																										
	10/150	150	5,62																										
	10/200	150	4,45																										
	12/150	150	8,60																										
12/200	150	6,68																											
PLYD1600815(*)																													
PLYD1600820(*)																													
PLYD1601015(*)																													
PLYD1601020(*)																													
PLYD1601215(*)																													
PLYD1601220(*)																													
Type 190 D Standard length = 1,25m 	<table border="1"> <thead> <tr> <th>ϕ/E mm</th> <th>Z mm</th> <th>Weight Kg/m</th> </tr> </thead> <tbody> <tr> <td>8/150</td> <td>180</td> <td>3,93</td> </tr> <tr> <td>8/200</td> <td>180</td> <td>3,26</td> </tr> <tr> <td>10/150</td> <td>180</td> <td>6,07</td> </tr> <tr> <td>10/200</td> <td>180</td> <td>4,87</td> </tr> <tr> <td>12/150</td> <td>180</td> <td>9,10</td> </tr> <tr> <td>12/200</td> <td>180</td> <td>7,14</td> </tr> </tbody> </table>	ϕ/E mm	Z mm	Weight Kg/m	8/150	180	3,93	8/200	180	3,26	10/150	180	6,07	10/200	180	4,87	12/150	180	9,10	12/200	180	7,14	<table border="1"> <tbody> <tr> <td>PLYD1900815125</td> </tr> <tr> <td>PLYD1900820125</td> </tr> <tr> <td>PLYD1901015125</td> </tr> <tr> <td>PLYD1901020125</td> </tr> <tr> <td>PLYD1901215125</td> </tr> <tr> <td>PLYD1901220125</td> </tr> </tbody> </table>	PLYD1900815125	PLYD1900820125	PLYD1901015125	PLYD1901020125	PLYD1901215125	PLYD1901220125
	ϕ/E mm	Z mm	Weight Kg/m																										
	8/150	180	3,93																										
	8/200	180	3,26																										
	10/150	180	6,07																										
	10/200	180	4,87																										
	12/150	180	9,10																										
12/200	180	7,14																											
PLYD1900815125																													
PLYD1900820125																													
PLYD1901015125																													
PLYD1901020125																													
PLYD1901215125																													
PLYD1901220125																													
Type 230 D Standard length = 1,25m 	<table border="1"> <thead> <tr> <th>ϕ/E mm</th> <th>Z mm</th> <th>Weight Kg/m</th> </tr> </thead> <tbody> <tr> <td>8/150</td> <td>220</td> <td>4,22</td> </tr> <tr> <td>10/150</td> <td>220</td> <td>6,42</td> </tr> <tr> <td>10/200</td> <td>220</td> <td>5,17</td> </tr> <tr> <td>12/150</td> <td>220</td> <td>9,51</td> </tr> </tbody> </table>	ϕ/E mm	Z mm	Weight Kg/m	8/150	220	4,22	10/150	220	6,42	10/200	220	5,17	12/150	220	9,51	<table border="1"> <tbody> <tr> <td>PLYD2300815125</td> </tr> <tr> <td>PLYD2301015125</td> </tr> <tr> <td>PLYD2301020125</td> </tr> <tr> <td>PLYD2301215125</td> </tr> </tbody> </table>	PLYD2300815125	PLYD2301015125	PLYD2301020125	PLYD2301215125								
	ϕ/E mm	Z mm	Weight Kg/m																										
	8/150	220	4,22																										
	10/150	220	6,42																										
	10/200	220	5,17																										
12/150	220	9,51																											
PLYD2300815125																													
PLYD2301015125																													
PLYD2301020125																													
PLYD2301215125																													

(*) code +125 or 245 for 1,25m or 2,45m

©Copyright protected

This sheet, written with great care, supersedes all previous versions. The technical information on the design, models, illustrations, design values and specifications are believed to be accurate. We make no warranties (expressed or implied) as to its accuracy and assumes no liability in connection with non suitable use of this product. We reserve the right to modify the contents of this form without prior notice.

PLAKA - PROFILARC V2

Reinforcement connection box

REF 01.01.08 - Version V01 - 09/04/2020



Model	Geometry	Code																											
<p>Type DX Standard length = 1,25m</p> <p>Z extra steel</p>	<table border="1"> <thead> <tr> <th>ϕ/E mm</th> <th>Z mm</th> <th>Weight Kg/m</th> </tr> </thead> <tbody> <tr> <td>8/150</td> <td>X-10</td> <td>3,72</td> </tr> <tr> <td>8/200</td> <td>X-10</td> <td>3,20</td> </tr> <tr> <td>10/150</td> <td>X-10</td> <td>5,24</td> </tr> <tr> <td>10/200</td> <td>X-10</td> <td>4,32</td> </tr> <tr> <td>12/150</td> <td>X-10</td> <td>7,72</td> </tr> <tr> <td>12/200</td> <td>X-10</td> <td>6,16</td> </tr> </tbody> </table>	ϕ/E mm	Z mm	Weight Kg/m	8/150	X-10	3,72	8/200	X-10	3,20	10/150	X-10	5,24	10/200	X-10	4,32	12/150	X-10	7,72	12/200	X-10	6,16	<table border="1"> <tbody> <tr> <td>PLYDX0815(*)</td> </tr> <tr> <td>PLYDX0820(*)</td> </tr> <tr> <td>PLYDX1015(*)</td> </tr> <tr> <td>PLYDX1020(*)</td> </tr> <tr> <td>PLYDX1215(*)</td> </tr> <tr> <td>PLYDX1220(*)</td> </tr> </tbody> </table>	PLYDX0815(*)	PLYDX0820(*)	PLYDX1015(*)	PLYDX1020(*)	PLYDX1215(*)	PLYDX1220(*)
ϕ/E mm	Z mm	Weight Kg/m																											
8/150	X-10	3,72																											
8/200	X-10	3,20																											
10/150	X-10	5,24																											
10/200	X-10	4,32																											
12/150	X-10	7,72																											
12/200	X-10	6,16																											
PLYDX0815(*)																													
PLYDX0820(*)																													
PLYDX1015(*)																													
PLYDX1020(*)																													
PLYDX1215(*)																													
PLYDX1220(*)																													
<p>Type 120 DS Standard length = 1,25m</p>	<table border="1"> <thead> <tr> <th>ϕ/E mm</th> <th>Z mm</th> <th>Weight Kg/m</th> </tr> </thead> <tbody> <tr> <td>10/150</td> <td>110</td> <td>5,57</td> </tr> <tr> <td>12/100</td> <td>110</td> <td>12,45</td> </tr> <tr> <td>12/150</td> <td>110</td> <td>8,56</td> </tr> </tbody> </table>	ϕ/E mm	Z mm	Weight Kg/m	10/150	110	5,57	12/100	110	12,45	12/150	110	8,56	<table border="1"> <tbody> <tr> <td>PLYS1201015125</td> </tr> <tr> <td>PLYS1201210125</td> </tr> <tr> <td>PLYS1201215125</td> </tr> </tbody> </table>	PLYS1201015125	PLYS1201210125	PLYS1201215125												
ϕ/E mm	Z mm	Weight Kg/m																											
10/150	110	5,57																											
12/100	110	12,45																											
12/150	110	8,56																											
PLYS1201015125																													
PLYS1201210125																													
PLYS1201215125																													
<p>Type 160 DS Standard length = 1,25m</p>	<table border="1"> <thead> <tr> <th>ϕ/E mm</th> <th>Z mm</th> <th>Weight Kg/m</th> </tr> </thead> <tbody> <tr> <td>10/150</td> <td>150</td> <td>5,70</td> </tr> <tr> <td>12/100</td> <td>150</td> <td>12,60</td> </tr> <tr> <td>12/150</td> <td>150</td> <td>8,71</td> </tr> </tbody> </table>	ϕ/E mm	Z mm	Weight Kg/m	10/150	150	5,70	12/100	150	12,60	12/150	150	8,71	<table border="1"> <tbody> <tr> <td>PLYS1601015125</td> </tr> <tr> <td>PLYS1601210125</td> </tr> <tr> <td>PLYS1601215125</td> </tr> </tbody> </table>	PLYS1601015125	PLYS1601210125	PLYS1601215125												
ϕ/E mm	Z mm	Weight Kg/m																											
10/150	150	5,70																											
12/100	150	12,60																											
12/150	150	8,71																											
PLYS1601015125																													
PLYS1601210125																													
PLYS1601215125																													
<p>Type 190 DS Standard length = 1,25m</p>	<table border="1"> <thead> <tr> <th>ϕ/E mm</th> <th>Z mm</th> <th>Weight Kg/m</th> </tr> </thead> <tbody> <tr> <td>10/150</td> <td>180</td> <td>6,03</td> </tr> <tr> <td>12/100</td> <td>180</td> <td>12,93</td> </tr> <tr> <td>12/150</td> <td>180</td> <td>9,04</td> </tr> </tbody> </table>	ϕ/E mm	Z mm	Weight Kg/m	10/150	180	6,03	12/100	180	12,93	12/150	180	9,04	<table border="1"> <tbody> <tr> <td>PLYS1901015125</td> </tr> <tr> <td>PLYS1901210125</td> </tr> <tr> <td>PLYS1901215125</td> </tr> </tbody> </table>	PLYS1901015125	PLYS1901210125	PLYS1901215125												
ϕ/E mm	Z mm	Weight Kg/m																											
10/150	180	6,03																											
12/100	180	12,93																											
12/150	180	9,04																											
PLYS1901015125																													
PLYS1901210125																													
PLYS1901215125																													

(*) code +125 or 245 for 1,25m or 2,45m

©Copyright protected

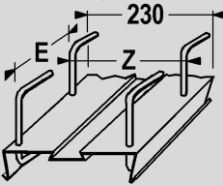
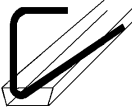
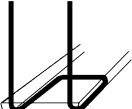
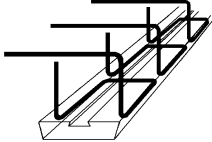
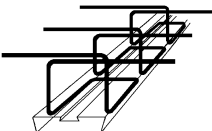
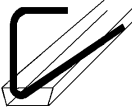
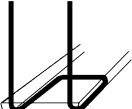
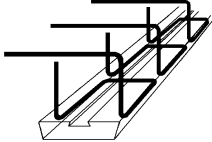
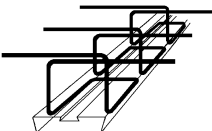
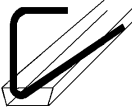
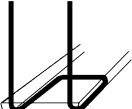
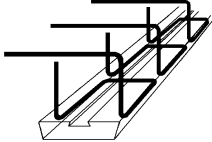
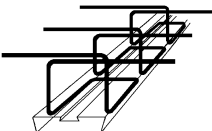
This sheet, written with great care, supersedes all previous versions. The technical information on the design, models, illustrations, design values and specifications are believed to be accurate. We make no warranties (expressed or implied) as to its accuracy and assumes no liability in connection with non suitable use of this product. We reserve the right to modify the contents of this form without prior notice.

PLAKA - PROFILARC V2

Reinforcement connection box

REF 01.01.08 - Version V01 - 09/04/2020



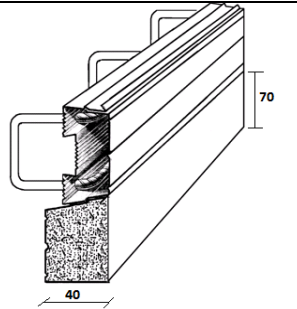
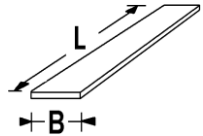
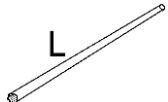
Description	Geometry			Code														
<p>Type 230 DS Standard length = 1,25m</p> 	<table border="1"> <thead> <tr> <th>ϕ/E mm</th> <th>Z mm</th> <th>Weight Kg/m</th> </tr> </thead> <tbody> <tr> <td>10/150</td> <td>180</td> <td>6,03</td> </tr> <tr> <td>12/100</td> <td>180</td> <td>12,93</td> </tr> <tr> <td>12/150</td> <td>180</td> <td>9,04</td> </tr> </tbody> </table>	ϕ/E mm	Z mm	Weight Kg/m	10/150	180	6,03	12/100	180	12,93	12/150	180	9,04		<table border="1"> <tbody> <tr> <td>PLYS2301015125</td> </tr> <tr> <td>PLYS2301210125</td> </tr> <tr> <td>PLYS2301215125</td> </tr> </tbody> </table>	PLYS2301015125	PLYS2301210125	PLYS2301215125
ϕ/E mm	Z mm	Weight Kg/m																
10/150	180	6,03																
12/100	180	12,93																
12/150	180	9,04																
PLYS2301015125																		
PLYS2301210125																		
PLYS2301215125																		
<p>Special folding patterns</p>	<table border="1"> <tbody> <tr> <td data-bbox="577 887 903 1066"> <p>Pattern S1 Bent at 90 degrees in 2 mutually perpendicular planes</p> </td> <td data-bbox="903 887 1214 1066">  </td> </tr> <tr> <td data-bbox="577 1066 903 1189"> <p>Pattern D4 Reversed stirrups</p> </td> <td data-bbox="903 1066 1214 1189">  </td> </tr> <tr> <td data-bbox="577 1189 903 1402"> <p>Pattern D6 Reversed stirrups + bending at 90 degrees for one of the 2 bars</p> </td> <td data-bbox="903 1189 1214 1402">  </td> </tr> <tr> <td data-bbox="577 1402 903 1581"> <p>Pattern D7 Reversed stirrups + bending at 90 degrees for the two bars</p> </td> <td data-bbox="903 1402 1214 1581">  </td> </tr> </tbody> </table>	<p>Pattern S1 Bent at 90 degrees in 2 mutually perpendicular planes</p>		<p>Pattern D4 Reversed stirrups</p>		<p>Pattern D6 Reversed stirrups + bending at 90 degrees for one of the 2 bars</p>		<p>Pattern D7 Reversed stirrups + bending at 90 degrees for the two bars</p>		<p>-</p>								
<p>Pattern S1 Bent at 90 degrees in 2 mutually perpendicular planes</p>																		
<p>Pattern D4 Reversed stirrups</p>																		
<p>Pattern D6 Reversed stirrups + bending at 90 degrees for one of the 2 bars</p>																		
<p>Pattern D7 Reversed stirrups + bending at 90 degrees for the two bars</p>																		

©Copyright protected

This sheet, written with great care, supersedes all previous versions. The technical information on the design, models, illustrations, design values and specifications are believed to be accurate. We make no warranties (expressed or implied) as to its accuracy and assumes no liability in connection with non suitable use of this product. We reserve the right to modify the contents of this form without prior notice.

PLAKA - PROFILARC V2
Reinforcement connection box
REF 01.01.08 - Version V01 - 09/04/2020



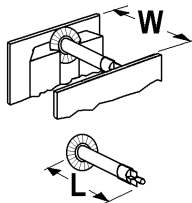
Model	Geometry	Code																			
ACCESSORIES	<p>Profile for pre-cast slab :</p> <p>The profile is welded in the workshop on the connection box. After removal of the polystyrene filling, the pre-cast slab can be entered.</p> <p>Dimensions: 70 x 40mm</p> 																				
	<table border="1"> <thead> <tr> <th>Type</th> <th>L (m)</th> <th>Weight (Kg/m)</th> </tr> </thead> <tbody> <tr> <td>70 & 40</td> <td>2.40</td> <td>0.85</td> </tr> </tbody> </table>	Type	L (m)	Weight (Kg/m)	70 & 40	2.40	0.85	PLSP													
	Type	L (m)	Weight (Kg/m)																		
	70 & 40	2.40	0.85																		
	<p>Magnetic strip</p> <p>This magnetic strip is used with steel formwork (in this case the PROFILARC V2 is equipped with a steel cap)</p>  <p>The width B depends of the width of the PROFILARC V2</p>																				
	<table border="1"> <thead> <tr> <th>B mm</th> <th>L mm</th> <th>Weight Kg/1</th> </tr> </thead> <tbody> <tr> <td>29</td> <td>565</td> <td>0.17</td> </tr> <tr> <td>50</td> <td>565</td> <td>0.32</td> </tr> <tr> <td>75</td> <td>565</td> <td>0.45</td> </tr> <tr> <td>105</td> <td>565</td> <td>0.63</td> </tr> </tbody> </table>	B mm	L mm	Weight Kg/1	29	565	0.17	50	565	0.32	75	565	0.45	105	565	0.63	<table border="1"> <tbody> <tr><td>BAM05</td></tr> <tr><td>BAM07</td></tr> <tr><td>BAM10</td></tr> <tr><td>BAM13</td></tr> </tbody> </table>	BAM05	BAM07	BAM10	BAM13
	B mm	L mm	Weight Kg/1																		
	29	565	0.17																		
	50	565	0.32																		
	75	565	0.45																		
105	565	0.63																			
BAM05																					
BAM07																					
BAM10																					
BAM13																					
<p>Bending tool:</p> <p>The use of a bending tool avoids deformations when folding out the rebars (avoid 'bayonet effect')</p> 																					
<table border="1"> <thead> <tr> <th>φ mm</th> <th>L mm</th> <th>Weight Kg/1</th> </tr> </thead> <tbody> <tr> <td>8</td> <td>420</td> <td>0,35</td> </tr> <tr> <td>10</td> <td>520</td> <td>0,61</td> </tr> <tr> <td>12</td> <td>590</td> <td>0,90</td> </tr> </tbody> </table>	φ mm	L mm	Weight Kg/1	8	420	0,35	10	520	0,61	12	590	0,90	<table border="1"> <tbody> <tr><td>FRBD08</td></tr> <tr><td>FRBD10</td></tr> <tr><td>FRBD12</td></tr> </tbody> </table>	FRBD08	FRBD10	FRBD12					
φ mm	L mm	Weight Kg/1																			
8	420	0,35																			
10	520	0,61																			
12	590	0,90																			
FRBD08																					
FRBD10																					
FRBD12																					

©Copyright protected

This sheet, written with great care, supersedes all previous versions. The technical information on the design, models, illustrations, design values and specifications are believed to be accurate. We make no warranties (expressed or implied) as to its accuracy and assumes no liability in connection with non suitable use of this product. We reserve the right to modify the contents of this form without prior notice.

PLAKA - PROFILARC V2
Reinforcement connection box
REF 01.01.08 - Version V01 - 09/04/2020



Model	Geometry			Code																												
ACCESSORIES	<p>Spacers :</p> <p>Spacers are available to guarantee good stability of the unit and to prevent shifting in the formwork.</p> <p>The length of the spacers must be 20 mm less than the thickness of the wall.</p>			<table border="1"> <tr><td>PLSEP13</td></tr> <tr><td>PLSEP14</td></tr> <tr><td>PLSEP15</td></tr> <tr><td>PLSEP16</td></tr> <tr><td>PLSEP18</td></tr> <tr><td>PLSEP20</td></tr> <tr><td>PLSEP21</td></tr> <tr><td>PLSEP22</td></tr> <tr><td>PLSEP23</td></tr> </table>	PLSEP13	PLSEP14	PLSEP15	PLSEP16	PLSEP18	PLSEP20	PLSEP21	PLSEP22	PLSEP23																			
	PLSEP13																															
	PLSEP14																															
	PLSEP15																															
	PLSEP16																															
	PLSEP18																															
	PLSEP20																															
	PLSEP21																															
	PLSEP22																															
	PLSEP23																															
	<table border="1"> <thead> <tr> <th>W Thickness wall cm</th> <th>L = W-2cm cm</th> <th>Weight Kg/100</th> </tr> </thead> <tbody> <tr><td>15</td><td>13</td><td>2,30</td></tr> <tr><td>16</td><td>14</td><td>2,50</td></tr> <tr><td>17</td><td>15</td><td>2,70</td></tr> <tr><td>18</td><td>16</td><td>2,90</td></tr> <tr><td>20</td><td>18</td><td>3,30</td></tr> <tr><td>22</td><td>20</td><td>3,70</td></tr> <tr><td>23</td><td>21</td><td>3,90</td></tr> <tr><td>24</td><td>22</td><td>4,10</td></tr> <tr><td>25</td><td>23</td><td>4,30</td></tr> </tbody> </table>	W Thickness wall cm	L = W-2cm cm		Weight Kg/100	15	13	2,30	16	14	2,50	17	15	2,70	18	16	2,90	20	18	3,30	22	20	3,70	23	21	3,90	24	22	4,10	25	23	4,30
W Thickness wall cm	L = W-2cm cm	Weight Kg/100																														
15	13	2,30																														
16	14	2,50																														
17	15	2,70																														
18	16	2,90																														
20	18	3,30																														
22	20	3,70																														
23	21	3,90																														
24	22	4,10																														
25	23	4,30																														
15	13	2,30																														
16	14	2,50																														
17	15	2,70																														
18	16	2,90																														
20	18	3,30																														
22	20	3,70																														
23	21	3,90																														
24	22	4,10																														
25	23	4,30																														

©Copyright protected

This sheet, written with great care, supersedes all previous versions. The technical information on the design, models, illustrations, design values and specifications are believed to be accurate. We make no warranties (expressed or implied) as to its accuracy and assumes no liability in connection with non suitable use of this product. We reserve the right to modify the contents of this form without prior notice.