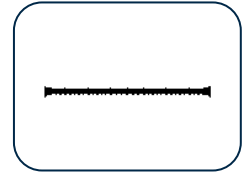


PLAKA - WATERSTOP

Reinforced internal plastic waterstop type FLEX
REF 05.03.04 - Version V02 - 14/08/2020



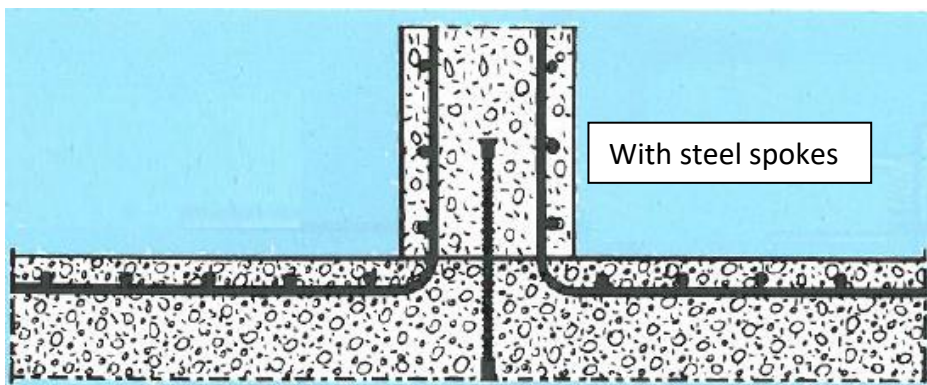
Description



Internal waterstop joints type FLEX are PVC waterstop joint in which steel bars have been integrated. The waterstop joint presents a ribbed surface, improving its anchorage into the concrete and consequently the watertightness of the construction joint

Application fields

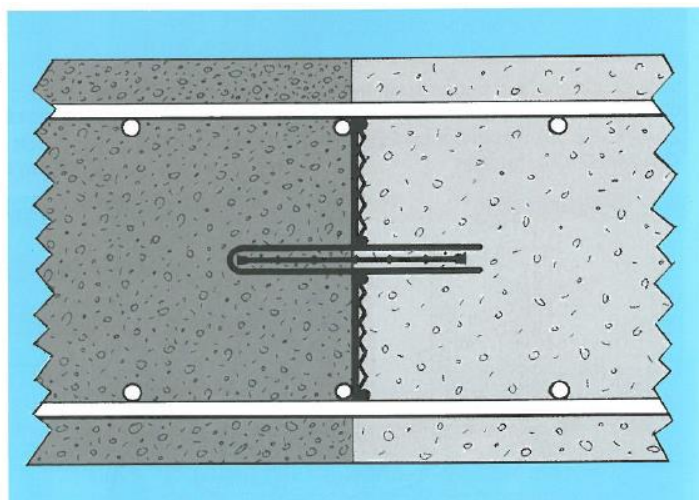
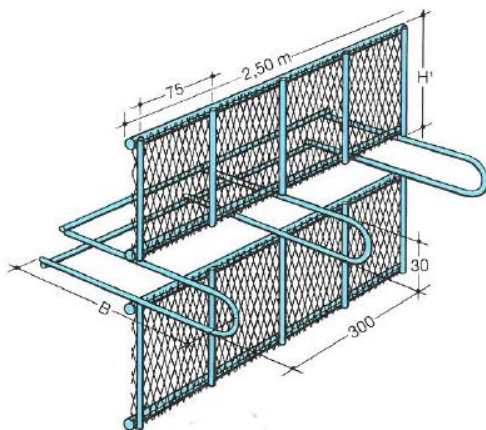
Reinforced PVC waterstop joints type FLEX are foreseen in the construction joints of reinforced concrete structures that need to be watertight. The integrated steel spokes give a rigidity in the transversal direction.



The reinforced waterstop joint type FLEX can be used in combination with the Tetraform type 3050 for slab-to-slab connections.

TYPE 3050

Prefabricated lost formwork with opening for waterstop joint



©Copyright protected

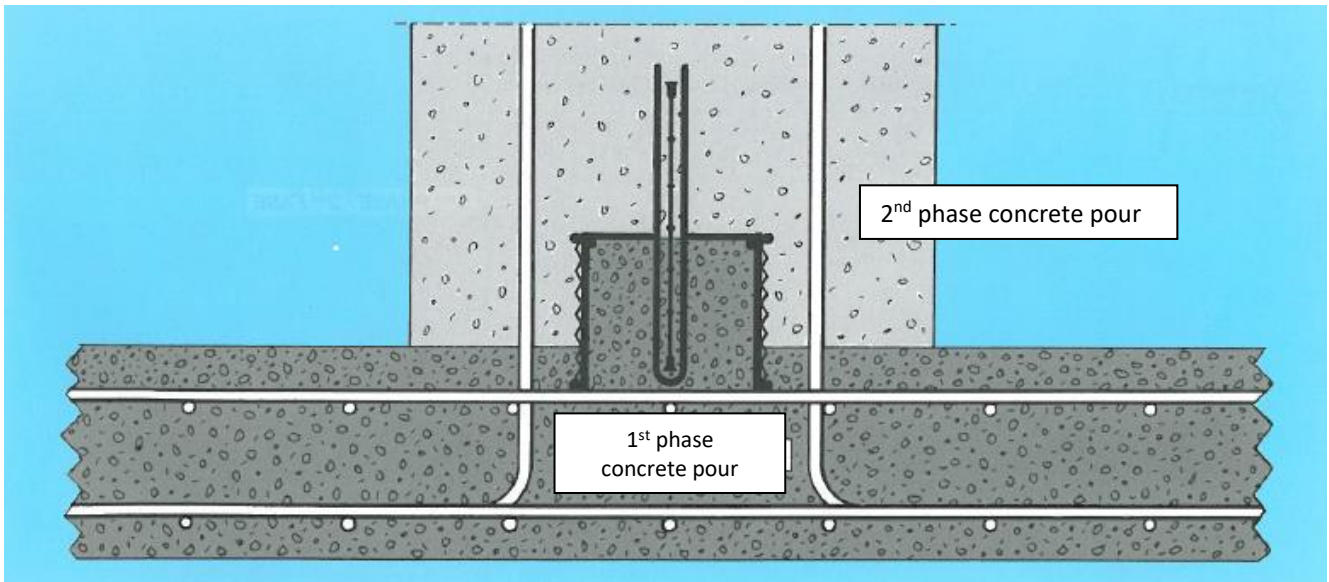
This sheet, written with great care, supersedes all previous versions. The technical information on the design, models, illustrations, design values and specifications are believed to be accurate. We make no warranties (expressed or implied) as to its accuracy and assumes no liability in connection with non suitable use of this product. We reserve the right to modify the contents of this form without prior notice.

PLAKA - WATERSTOP

Reinforced internal plastic waterstop type FLEX
REF 05.03.04 - Version V02 - 14/08/2020



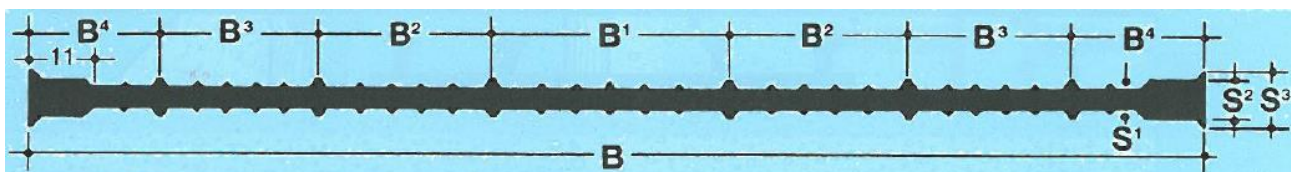
The reinforced waterstop joint type FLEX can also be used in combination with the Tetraform type 3070 for slab-to-wall connections.



Properties

Mechanical properties	
Elastomer	PVC-P
Shore hardness - DIN 53505	78 ± 5 ° Shore A
Tensile strength - DIN EN ISO 527-2	≥ 10 N/mm ²
Elongation at break – DIN EN ISO 527-2	≥ 275%
Colour	Black

Dimensions



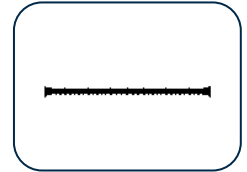
Dimensions											
Code	Type	Width					Thickness			m/Box	Weight Kg/m
		B (mm)	B ¹ (mm)	B ² (mm)	B ³ (mm)	B ⁴ (mm)	S ¹ (mm)	S ² (mm)	S ³ (mm)		
MIFLEX19	FLEX19	190	40	28	26	21	4,5	7,0	11,0	25 m	1,50
MIFLEX24	FLEX19	240	48	36	33	27	4,5	7,0	11,0	25 m	1,85
MIFLEX32	FLEX19	320	64	46	42	40	5,0	7,0	11,0	25 m	2,80




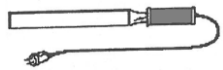
©Copyright protected

This sheet, written with great care, supersedes all previous versions. The technical information on the design, models, illustrations, design values and specifications are believed to be accurate. We make no warranties (expressed or implied) as to its accuracy and assumes no liability in connection with non suitable use of this product. We reserve the right to modify the contents of this form without prior notice.

PLAKA - WATERSTOP

Reinforced internal plastic waterstop type FLEX
REF 05.03.04 - Version V02 - 14/08/2020



Accessories			
Picture	Code	Description	Weight Kg/1
	MICH	Welding knife for waterstop joints	3,00
	MIV	Vulcanisation strip	0,08/m
	FRCOLPA	Heat gun	1,15
	MICC	Welding blade for waterstop joint	0,89

©Copyright protected

This sheet, written with great care, supersedes all previous versions. The technical information on the design, models, illustrations, design values and specifications are believed to be accurate. We make no warranties (expressed or implied) as to its accuracy and assumes no liability in connection with non suitable use of this product. We reserve the right to modify the contents of this form without prior notice.