

Plaka TETRA 3045C

Waterproofing formwork for a slab-slab or wall-wall link

Data Sheet

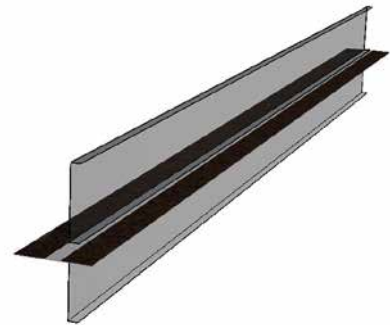
Description

TETRA 3045 is composed of a sealing metal sheet CEMFLEX measuring 15cmx250cm and two expanded metal strips perpendicularly connected at the center of the metal sheet CEMFLEX VB by welded points.

The whole structure forms a lost formwork, suppressing the costs of their removal and the destruction of their waste.

TETRA 3045C provides a very good connection between the first and the second phase.

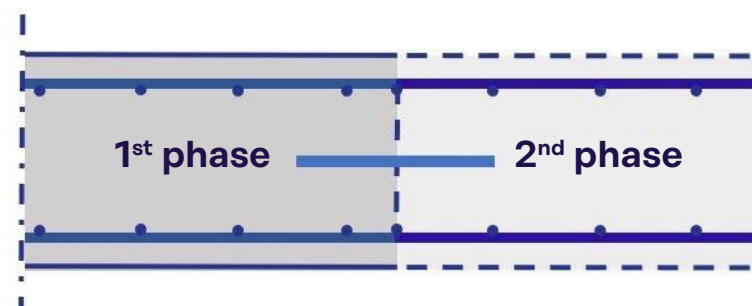
Please refer to the TETRA 3001/3002/3003 Data Sheet for more complementary details concerning the expanded metal strips. The same concreting maximum heights condition the composition of the TETRA3045C models.



The use of the CEMFLEX VB metal sheet is covered by the ETA n°16 /0601 (European Technical Assessment) and the DTA 3.3/19-1006_V1 (CSTB) which guarantees the waterproofing of the concrete up to a pressure of 2 bars, i.e 20m of water pressure.

Fields of application

TETRA 3045C is placed between two concreting phases of a reinforced concrete slab or wall. This formwork allows to improve the waterproofing at the concrete joint.

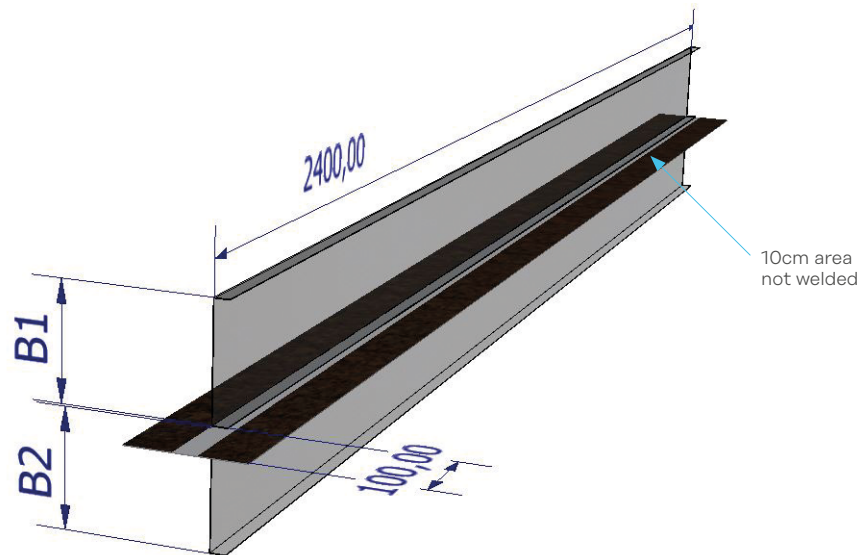


Plaka TETRA 3045C

Waterproofing formwork for a slab-slab or wall-wall link

Dimensions

TETRA 3045C can be manufactured with B1 and B2 expanded metal strips of different heights, depending on the needs of the project.



The standard straight elements are produced like follows:

Standard straight elements :

- Sealing metal sheet CEMFLEX VB : 250 cm long
- Expanded metal : 240 cm long

The expanded metal protrudes 10cm from the CEMFLEX VB sheet. This dimension is enough to be in accordance with the ETA and DTA. The element supplied has a waterproof sheet which protrudes 10cm and is useful to make the link with the following element which isn't welded at its end.