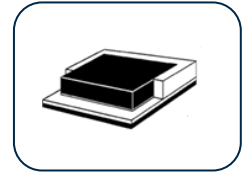
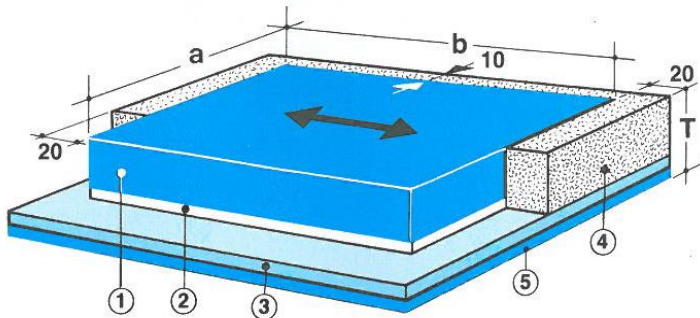


PLAKA - Deformation bearing pad with sliding sheet

Deformation bearing pad with sliding sheet
REF 07.04.01 - Version V01 - 17/08/2020



Description



- ① EPDM bearing with TEFLON sliding sheet
- ② Sliding plate 2 mm
- ③ PE foam
- ④ Elastomeric sheet 2 mm

On an elastomeric pad of 5 / 10 / 15 mm ① a Teflon layer ② has been vulcanized. The Teflon sheet slides over a sliding plate made of acetal ③. This acetal plate is 2 mm thick and is protected by an elastomeric sheet ④ of 2mm. The whole is wrapped with a polystyrene foam ④, which thus creates the expansion chamber. The standard version authorizes a sliding movement of 20 mm with a coefficient of friction $\mu = 0,10$

Application fields

- Support of vertical loads.
- Allow a rotation δ without creating tensions outside the central core.
- Ensure a free expansion with reduction of the coefficient of friction μ .

Installation instructions

After the bearing is installed on the structural support, cut the adhesive tape present on the sides of the bearing pads.

Properties

Mechanical properties	
Colour:	black
Polymer type:	EPDM
Specific weight :	1,3 - 1,35 tonne/m ³
Shore Hardness – A :	65° +/- 5°
Tensile strength :	> 6 MPa
Elongation at break :	> 300 %
Operating temperature :	from - 25° to + 75°

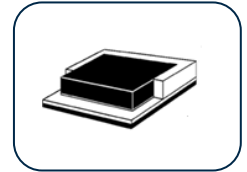
Dimensions

©Copyright protected

This sheet, written with great care, supersedes all previous versions. The technical information on the design, models, illustrations, design values and specifications are believed to be accurate. We make no warranties (expressed or implied) as to its accuracy and assumes no liability in connection with non suitable use of this product. We reserve the right to modify the contents of this form without prior notice.

PLAKA - Deformation bearing pad with sliding sheet

Deformation bearing pad with sliding sheet
REF 07.04.01 - Version V01 - 17/08/2020



Material and dimensions					
Reference code	Picture	Dimensions		p/Box	Weight (Kg/1)
		A x B mm	E mm		
BSGE14012009		100 X 100	5	1	0.20
BSGE14017009		100 X 150	5	1	0.30
BSGE14017014		100 X 150	10	1	0.40
BSGE19022009		150 X 200	5	1	0.55
BSGE19022014		150 X 200	10	1	0.75
BSGE24027009		200 X 250	5	1	0.85
BSGE24027014		200 X 250	10	1	1.20
BSGE24027019		200 X 250	15	1	1.52
BSGE24032009		200 X 300	5	1	1.00
BSGE24032014		200 X 300	10	1	1.40
BSGE24032019		200 X 300	15	1	1.82
BSGE24032024		200 X 300	20	1	2.25
BSGE24042009		200 X 400	5	1	1.33

©Copyright protected

This sheet, written with great care, supersedes all previous versions. The technical information on the design, models, illustrations, design values and specifications are believed to be accurate. We make no warranties (expressed or implied) as to its accuracy and assumes no liability in connection with non suitable use of this product. We reserve the right to modify the contents of this form without prior notice.