

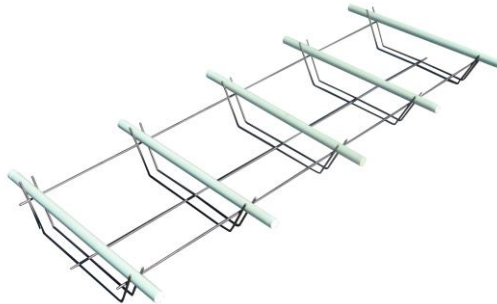
PLAKA – DILATEC ROAD TYPE

Dowels with epoxy coating – isolated or mounted on bearing basket

REF 09.03.00 - Version V02 - 08/11/2021



Description



Dowels covered with an epoxy coating, delivered separately, to be mounted on site on support basket, for the carriage of shear loads at the level of expansion joints or concrete stops.

Application fields

Mainly in works where one dimension is much higher than the other dimension :

- Floor slabs
- Concrete roads and cycling paths
- Loading docks
- ...

Properties

1. Dowel

Propriétés mécaniques		
Properties	Standard	Value
Tensile strength $R_{m,nom}$	NBN EN 13877-3	> 250 N/mm ²
Epoxy coating	Conform to standard ASTM A 1078/1078M	
Coating thickness		> 200 μ m
Color		light green

2. DILATEC ROAD type for concrete stops

Dowels mounted on support basket. They are held by clamps between the brackets of the basket.

Properties	
Characteristics	Value
Fixation	By clamping the dowels between the stirrups of the bearing basket
Height of the basket	\pm 130 mm

Cross-section

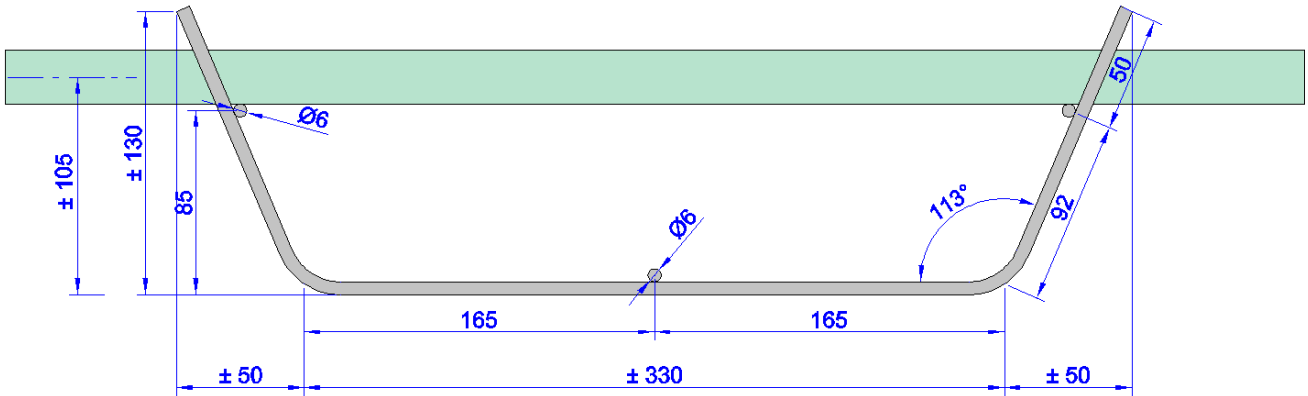
©Copyright protected

This sheet, written with great care, supersedes all previous versions. The technical information on the design, models, illustrations, design values and specifications are believed to be accurate. We make no warranties (expressed or implied) as to its accuracy and assumes no liability in connection with non suitable use of this product. We reserve the right to modify the contents of this form without prior notice.

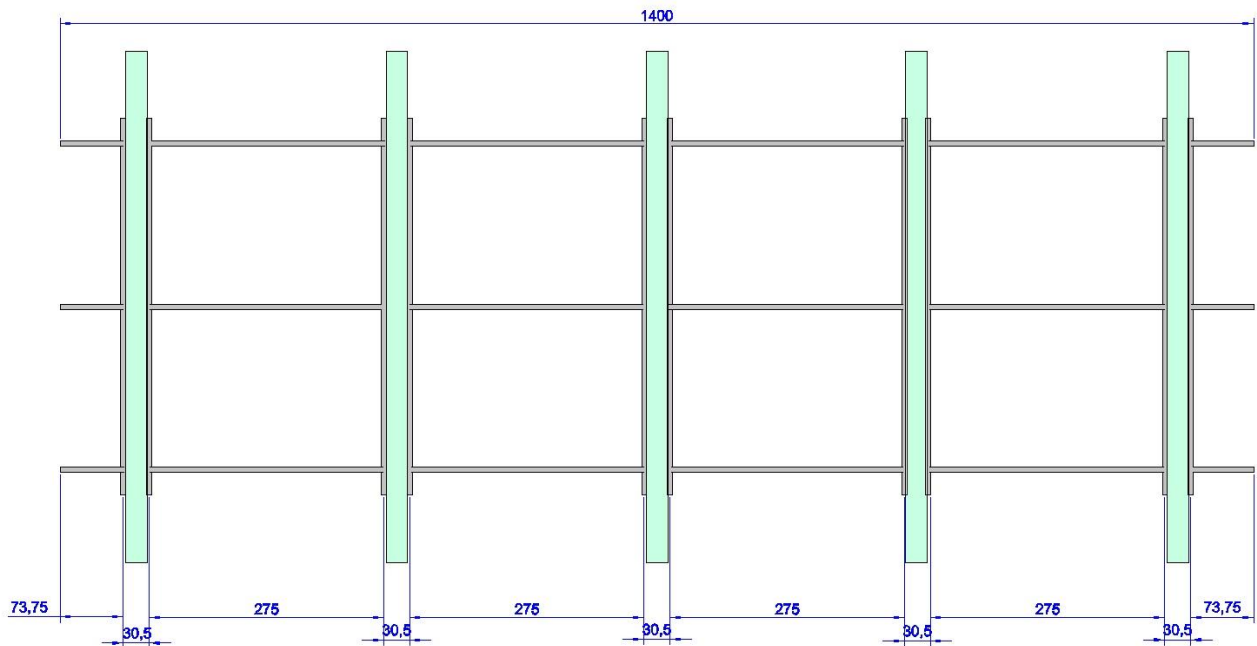
PLAKA – DILATEC ROAD TYPE

Dowels with epoxy coating – isolated or mounted on bearing basket

REF 09.03.00 - Version V02 - 08/11/2021



Plan view :



©Copyright protected

This sheet, written with great care, supersedes all previous versions. The technical information on the design, models, illustrations, design values and specifications are believed to be accurate. We make no warranties (expressed or implied) as to its accuracy and assumes no liability in connection with non suitable use of this product. We reserve the right to modify the contents of this form without prior notice.

PLAKA – DILATEC ROAD TYPE

Dowels with epoxy coating – isolated or mounted on bearing basket

REF 09.03.00 - Version V02 - 08/11/2021



3. DILATEC ROAD type for expansion joints

Dowels mounted on 2 hychairs type « A », with a flexible filling material.

Properties	
Characteristics	Value
Height hychair type “A”	90 mm
Fixation	« V »-shape flat spring
Stiffness of the whole	Realized by mean of horizontal bars welded in diagonal
Standard total height	200 mm
Joint filling	Steel sheet + polyethylene foam 20 mm Maximal dimensions : 2000 x 1200 mm
Characteristics of the filling material	Closed cells extruded foam Density $\geq 55 \text{ kg/m}^3$ Non toxic Odourless 100% recyclable Moisture and mould resistant Free of dust Chemically inert Resistant to most chemicals Air and water tight CFC free Suitable for food contact applications



Dimensions

Code	Picture	Diameter	Length	Units/Box	Weight
DIL25600PVC		25 mm	600 mm	1	2,36 kg/1
Andere afmetingen van de deuvels op aanvraag					
Code	Picture	H mm (axis dowel)	L mm / N	Units/Box	Kg/1
DILDU5		100	1400/5	1	14,15
N= Number of dowels per element. (120 units per pallet of 140 x 90 x 180 cm) Other dimensions on request.					
Code	Picture	H mm	L mm	Units/Box	Kg/m
DILD P		≤ 200	2000	1	8,70
With 3 dowels diameter 25x600 mm per meter.					

©Copyright protected

This sheet, written with great care, supersedes all previous versions. The technical information on the design, models, illustrations, design values and specifications are believed to be accurate. We make no warranties (expressed or implied) as to its accuracy and assumes no liability in connection with non suitable use of this product. We reserve the right to modify the contents of this form without prior notice.

TECHNICAL DATASHEET

PLAKA – DILATEC ROAD TYPE


Dowels with epoxy coating – isolated or mounted on bearing basket

REF 09.03.00 - Version V02 - 08/11/2021



Accessories

Expansion cap to be installed on site at one of at both ends of the dowels, in case of concrete stops and/or expansion joints.

Code	Picture	Type	L mm	units/Box	Kg/100
RS5326		Ø25	80	1	1,04

©Copyright protected

This sheet, written with great care, supersedes all previous versions. The technical information on the design, models, illustrations, design values and specifications are believed to be accurate. We make no warranties (expressed or implied) as to its accuracy and assumes no liability in connection with non suitable use of this product. We reserve the right to modify the contents of this form without prior notice.